

# Landing gear Modul

The Modul series of telescopic landing gear is extremely versatile. Thanks to its modular construction with variable mounting and operating heights, various crank handles and connection shaft lengths, plus five different foot types, all client requirements can be met.

Modul B is optimised standard telescopic landing gear. The Modul C range consists of various landing gears which are designed for special applications.

Both ranges offer convincing product advantages: the integrated gearbox has optimum protection, and requires minimum force to be applied on the crank handle in both directions. At the same time, Modul offers an extraordinary increase in lift of up to 120 mm combined with smaller dimensions for fitting. It goes without saying that the telescopic landing gear is extremely sturdy and complies with the strict AAR standard.

The landing gear is not a standalone, functional device. It is designed to be mounted on a trailer. The vehicle may not be operated until it has been ensured that the towed vehicle with the support complies with the applicable national road traffic regulations. In Germany, the relevant "TÜV" Safety Regulations and "StVZO" Motor Vehicle Safety Standards are to be observed. The telescopic landing gear is always to be used in conjunction with the instructions for use issued by the manufacturer of the relevant trailer.



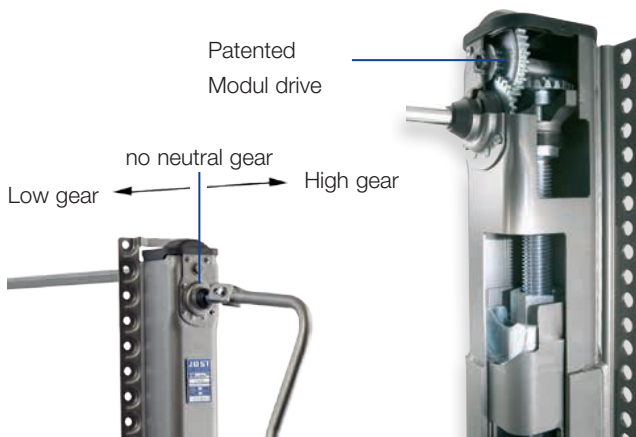
## Tried-and-tested Modul system



Since the market entrance Modul landing gears are setting benchmarks. The modular construction allows a multitude of different varieties.

- Easy to assemble and replace foot system
- Greatest flexibility of installation thanks to a range of back plates
- Various crank handles and connection shaft lengths
- Significant gain in lifting force compared to comparable products
- Attractive design
- For universal application
- Type reduction thanks to modular system guarantees high level of flexibility in spare parts business

## Patented Modul drive



The patented drive is perfectly protected by the internal construction. In addition it offers various advantages in daily use:

- Easy to change between high and low gears
- Very compact construction with high efficiency and extremely low wear
- Large lifting force per turn of the crank with low crank force allows easy and convenient operation
- Reliably secured against run-down
- Maintenance-free

## Support feet

The Modul series of telescopic landing gear are available with a range of different feet: S, A, T and TC foot.



Foot-S  
(Standard)



Foot-A  
(Rocking foot)



Foot-TC  
(Flat sand shoe)



Foot-T  
(Sand shoe)

## Additional advantages

### Outstanding corrosion protection

Landing gears from JOST are especially sturdy and resist also unfavorable exterior conditions.

- Careful pre-treatment
- Premium surface through powder coating
- Long-lasting protection against environmental influences and stone chips

### Easy maintenance

The Modul landing gears are equipped with a long-term lubrication. Therefore they can be used three years without relubrication.

- Long-lasting, maintenance-free drive
- No need for subsequent lubrication of our premium stabilisation and aluminium telescopic landing gears with lubrication tube

Lubrication tube



### Tested and developed according to internationally recognized standards

- Regular inspection during series production based on the strict AAR standard
- Quality management in accordance with ISO/TS 16949
- Environmental management in accordance with ISO 14001
- **3 year guarantee**

### Top service

Locations worldwide and a broad network of dealers ensure qualified support.

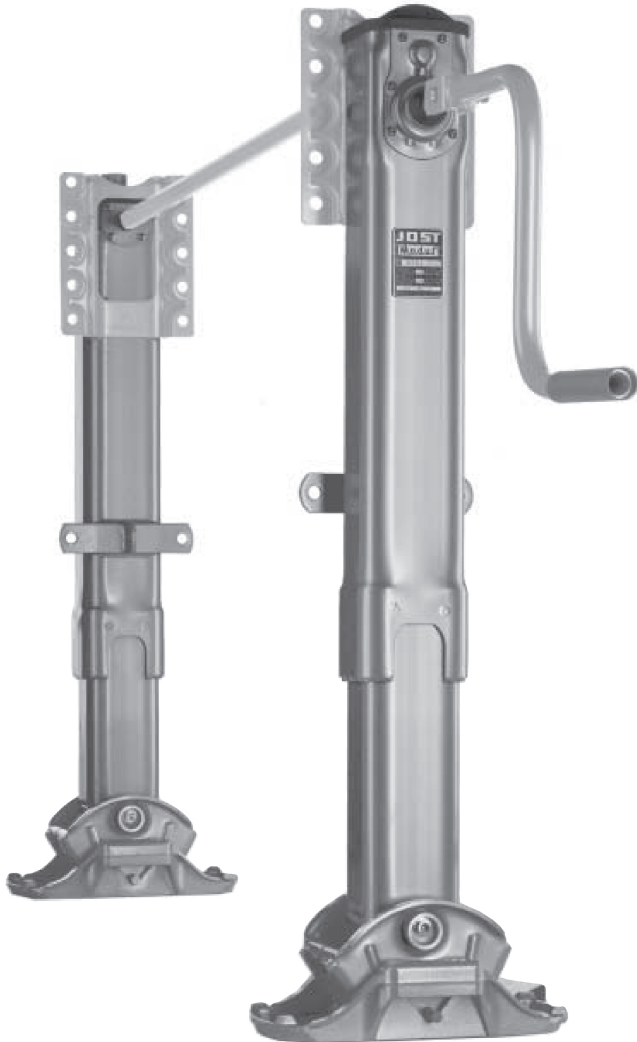
- Competent and individual advice from Sales and Customer Service
- Support for our customers using CAD data during the planning phase
- High level of prevalence and global spare parts supply with short delivery times
- Easy to repair, such as using our foot replacement system



# Modul

## Flexibility due to a modular ordering system

The ordering system allows clients to choose and put together a set of legs to suit their needs.



## Installation height

	max. lift
02 = 850mm	520mm
03 = 800mm	470mm
05 = 700mm	400mm

## Foot versions

00 = without foot

fitted		Part No.
01 = S Foot	compensating foot	JSD01
02 = A Foot	rocking foot	JSD02
03 = R Foot	wheels	JSD03
04 = T Foot	sand shoe	JSD04
06 = Low Profile T		JSD06

## Crank handle with parking hook

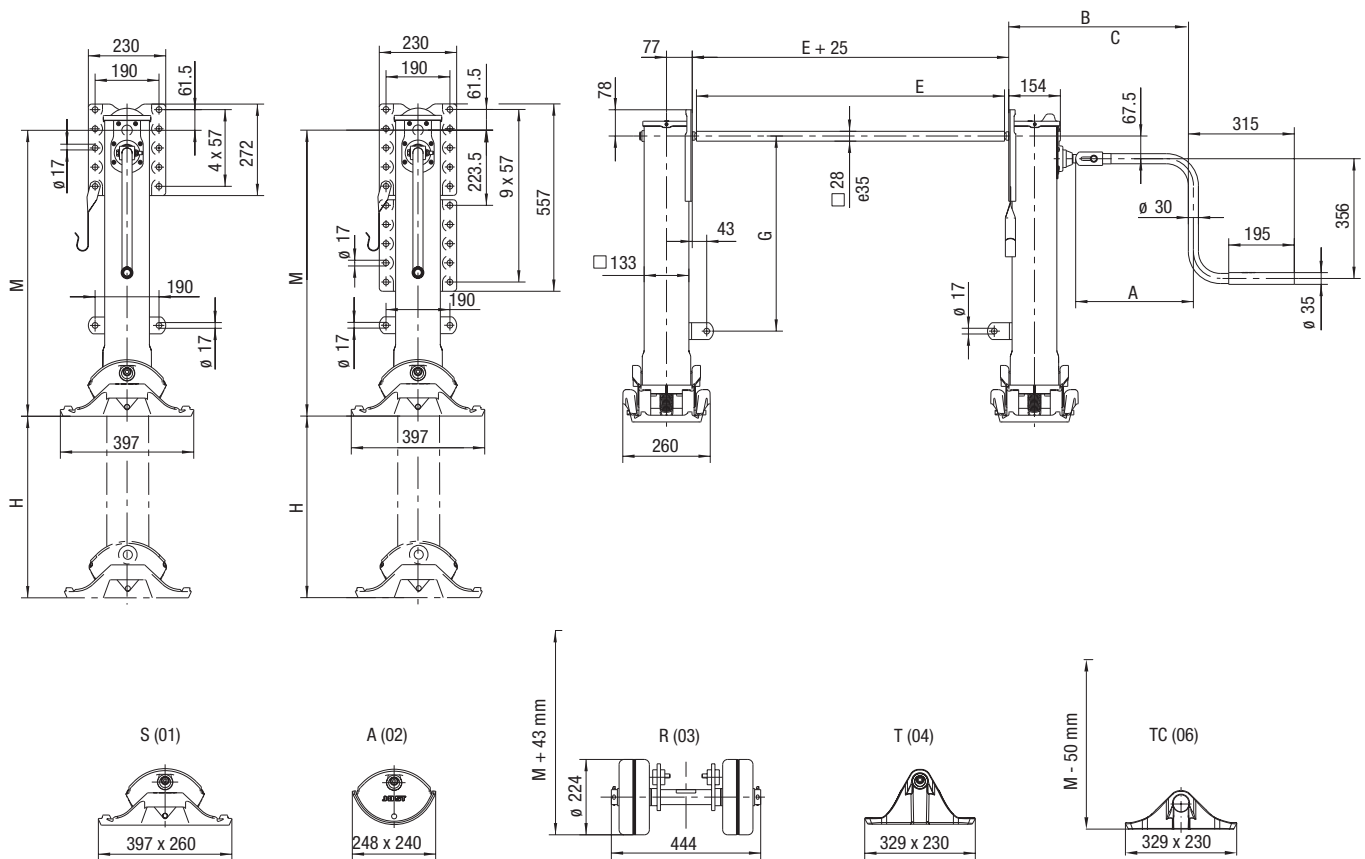
03 = 450mm	Optional
05 = 520mm	Standard

## Connection Shaft

10 = 1790mm	Standard
-------------	----------

Note: the connection shaft is square

# Modul



## Landing gear

Reference	Mh	Lift	A
M02	850	520	580
M03	800	470	530
M05	700	400	430

## Technical date (per set)

### Modul B

Lifting capacity	24t
Static load	50t
	35t with wheels
Lift per turn of handle	
- low gear	0.9mm
- high gear	15.0mm
Crank force at 16t super imposed load	210N

Subject to change in dimensions and design

## Crank handle

Reference	B	C	D
JSU03	450	634	658
JSU05*	520	704	728

## Connection shafts

Reference	E	F
JSL10	1790	1815

Standard with set of legs.

## Foot versions

00 = without foot

### fitted

JSD01 = S Foot	compensating foot
JSD02 = A Foot	rocking foot
JSD03 = R Foot	wheels
JSD04 = T Foot	sand shoe
JSD06 = LP T	low profile T foot





## Spare parts for Modul

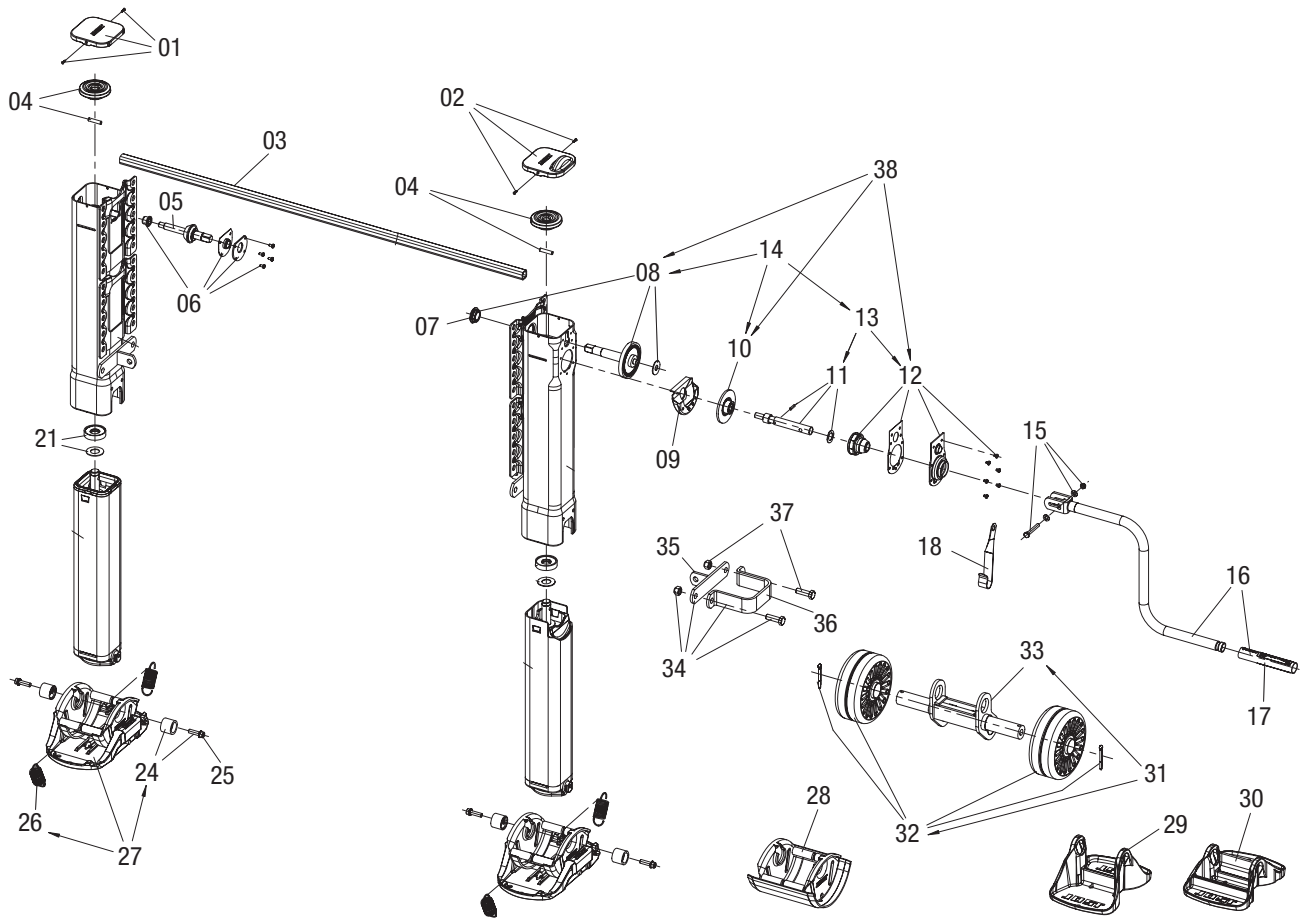


Fig.	Description	Part No.
01	Cover, left with bolts	JSE0046100
02	Cover, right with bolts	JSE0046300
03	See individual components	
04	Bevel gear with bolt	JSE0058600
		Supercedes
		JS0046000
05	Shaft	JSE0001500
06	Bearing, complete	JSE0046200
07	Bearing	JSE0001800
08	Shaft with bearing	JSE0058700
09	Grease tank	JSE0002000
10	Gear wheel	JSE0055800
11	Crankshaft, complete	JSE0046500
12	Bearing holder, complete	JSE0058800
13	Crankshaft and bearing holder, compl. 12+11	JSE0056600
14	Drive, complete 8, 10 + 13	JSE0083700
15	Bolt with washers and nuts	JSE0043100
16	See individual components	
17	Crank bushing	JSE0042700
18	Crank parking hook for crank 415-480mm	JSE0040201
	Crank parking hook for crank 520mm	JSE0040202
21	Axial bearing with washer	JSE0066401
24	Nut and bolt	JSE0043300
25	Bolt	JSE0055300
26	Spring	JSE0012900

Fig.	Description	Part No.
27	S foot, complete	JSD01
28	A foot, complete	JSD02
29	T foot, complete	JSD04
30	Tc foot, complete *	JSD06
31	R foot, complete *	JSD03
32	Wheels with split pins	JSE0062200
33	Wheel holder	JSE0067300
34	Clamp with angle	JSE010.010
35	Angle	JSE010.001
36	Clamp	JSE010.002
37	Nut and bolt	JSE020.004
38	Drive repair kit	JSE0059200

## Individual Components, Accessories and Repair Kits

03	Connection shaft 1790mm	JSL10
16	Crank 450mm with parking hook	JSU03
	Crank 520mm with parking hook	JSU05

\* With the 06/TC foot version, item 30, the installation height Mh is reduced by 50mm

# Modul Series Landing Legs

Available in 400mm, 470mm, 520mm  
Travel Standard outside flange mounting models



9" Diameter Standard Wheels  
9" Diameter Standard Wheels  
9" Diameter Standard Wheels

Modul R 400mm  
Modul R 470mm  
Modul R 520mm



329mm x 230mm Sand Shoes (T Feet)  
329mm x 230mm Sand Shoes (T Feet)  
329mm x 230mm Sand Shoes (T Feet)

Modul T 400mm  
Modul T 470mm  
Modul T 520mm



Air Suspension Feet (280mm x 240mm)  
Air Suspension Feet (280mm x 240mm)  
Air Suspension Feet (280mm x 240mm)

Modul A 400mm  
Modul A 470mm  
Modul A 520mm



Compensating Feet (397mm x 260mm)  
Compensating Feet (397mm x 260mm)  
Compensating Feet (397mm x 260mm)

Modul S 400mm  
Modul S 470mm  
Modul S 520mm



Supplied without Feet can take R.T.S or A Feet  
Supplied without Feet can take R.T.S or A Feet  
Supplied without Feet can take R.T.S or A Feet

Modul WF 400mm  
Modul WF 470mm  
Modul WF 520mm



Note: Inside flange mounting models also available